

TS 1500



101827-07

GEZE



A

B

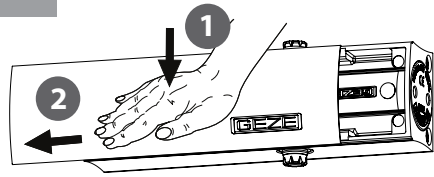


$a \leq 1100 \text{ mm}$

$a \leq 1100 \text{ mm}$

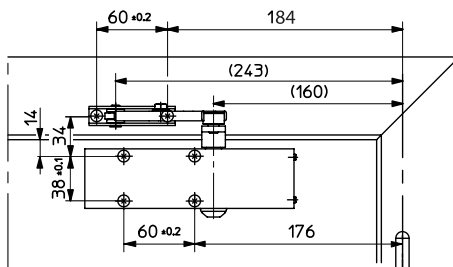
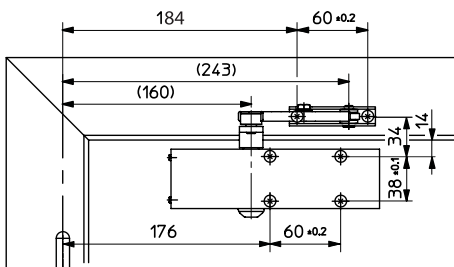
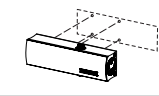
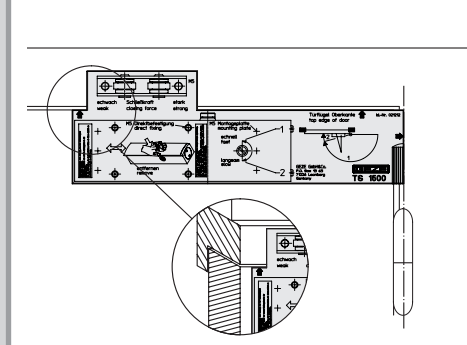
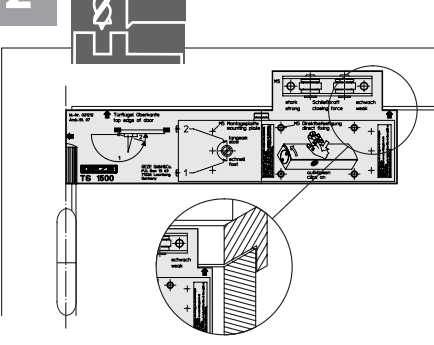
1

i

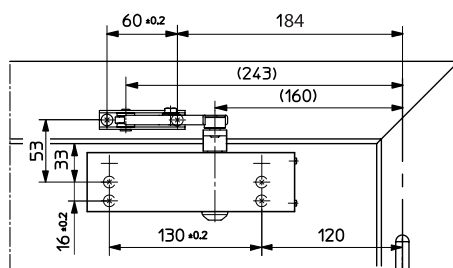
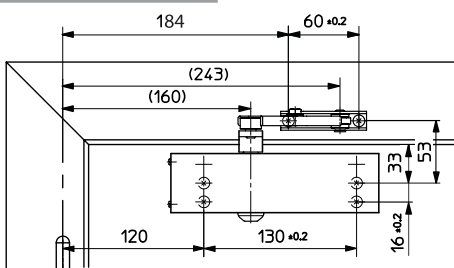
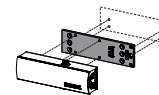
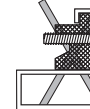
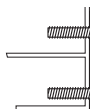
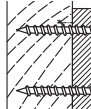


CE	GEZE GmbH P.O. Box 1363 71226 Leonberg	11
	EN 1154	4 8 4/3 1 1 3
0672-CPD-0120		
Substanz: -----		

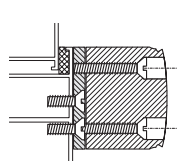
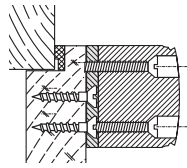
2



- 4x 5x52
- 4x M5x42

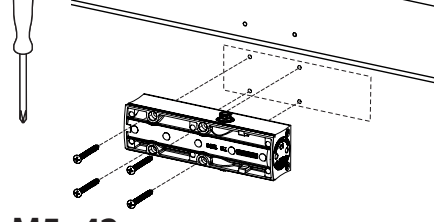


- 4x 5x35
- 4x M5x20

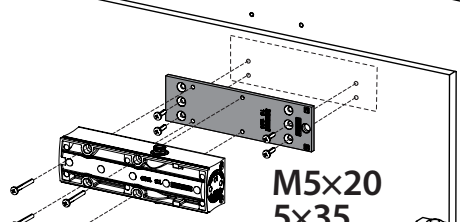


- 4x M5x34

3

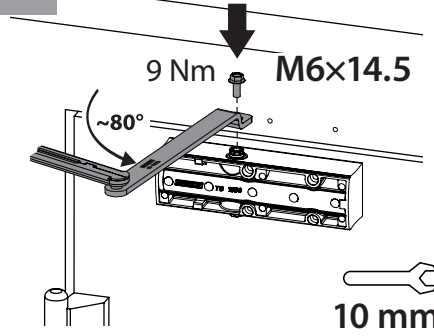


M5x42
5x52



M5x34
5x35

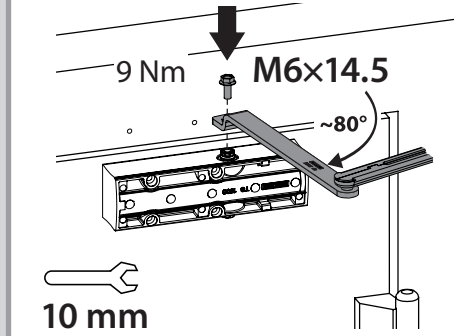
4



9 Nm M6x14.5

~80°

10 mm



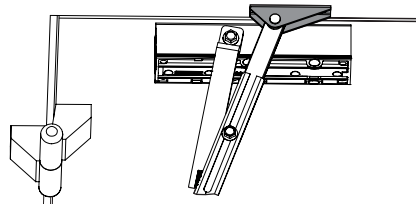
9 Nm M6x14.5

~80°

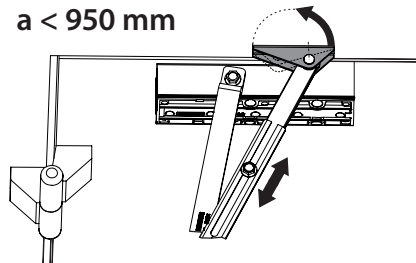
10 mm

5

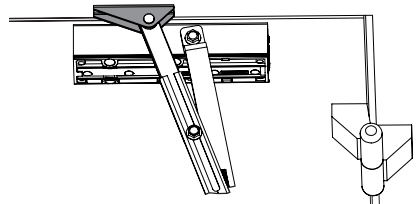
a = 950 - 1100 mm



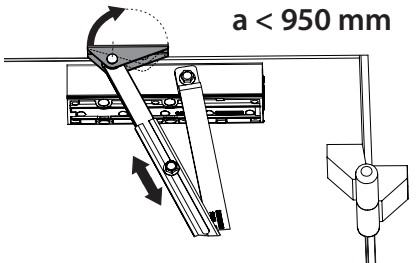
a < 950 mm



a = 950 - 1100 mm

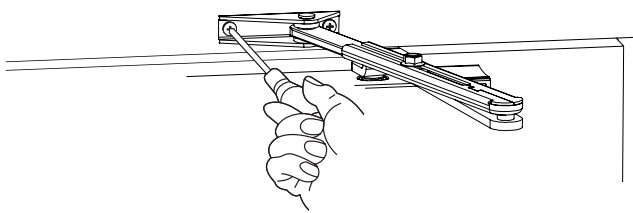


a < 950 mm

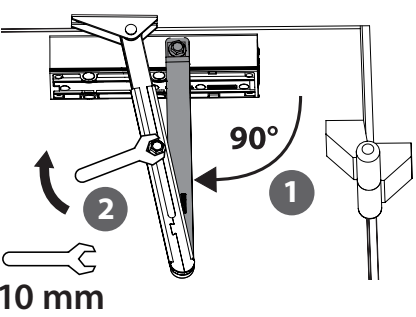
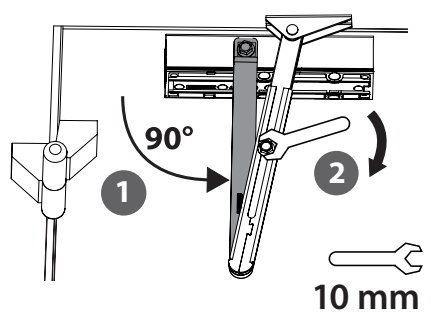


6

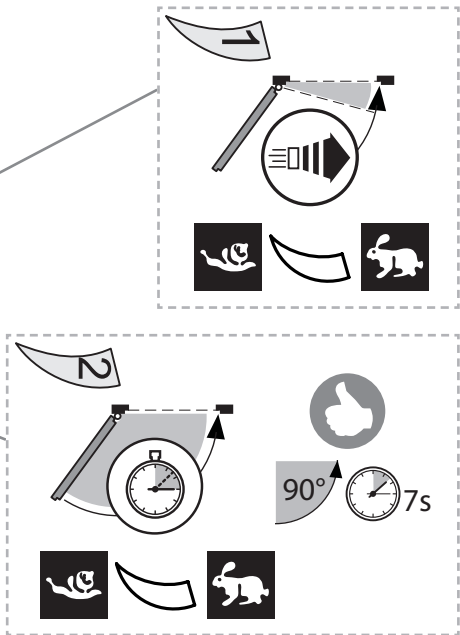
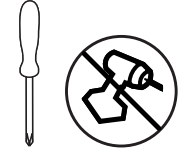
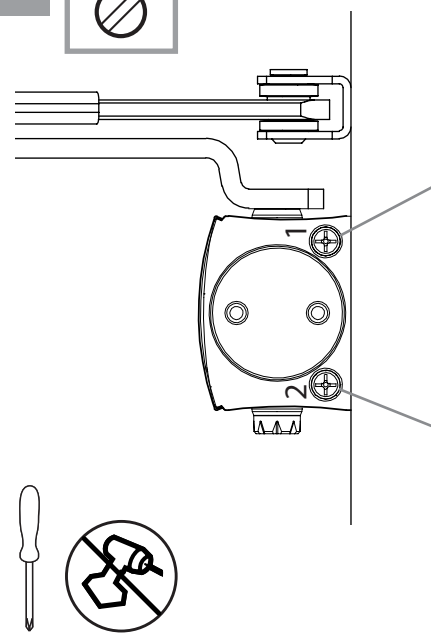
- 2x 5x20
- 2x M5x16



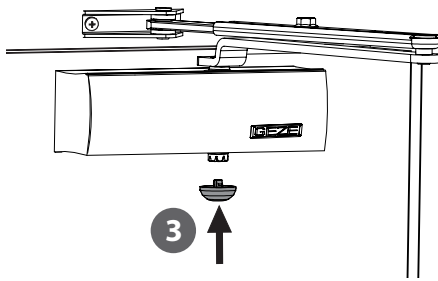
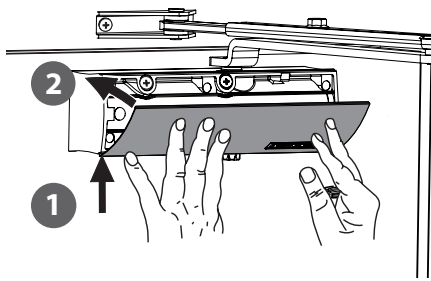
7



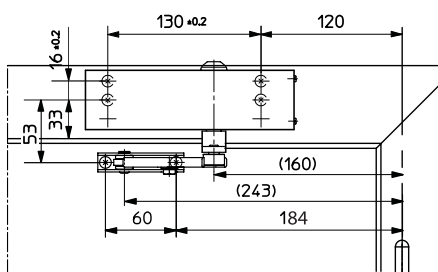
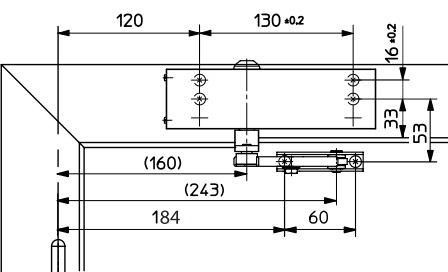
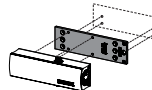
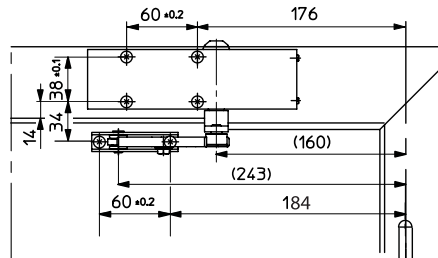
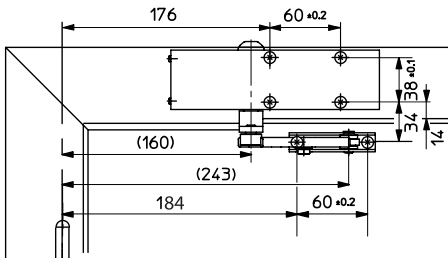
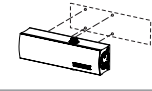
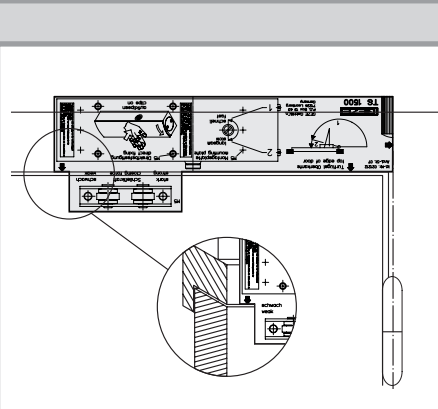
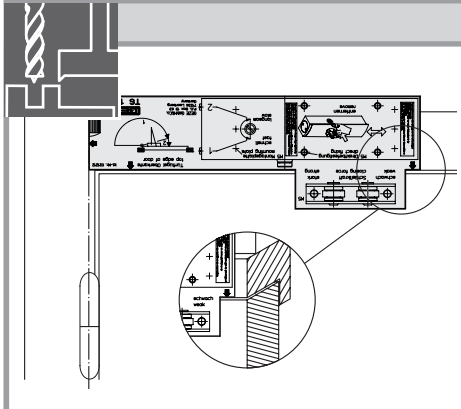
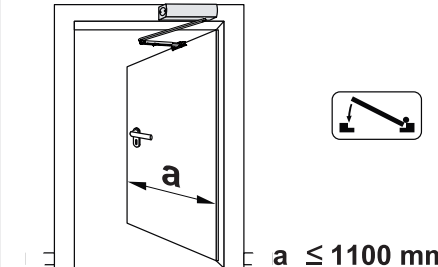
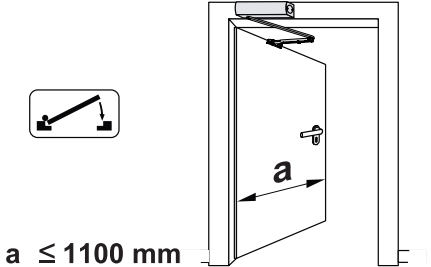
8



9



i



GEZE GmbH
 P.O.Box 1363
 Reinhold-Vöster-Straße 21-29
 71229 Leonberg
 Germany

Tel.: 0049 7152 203-0
 Fax: 0049 7152 203-310
www.geze.com

101827-07

